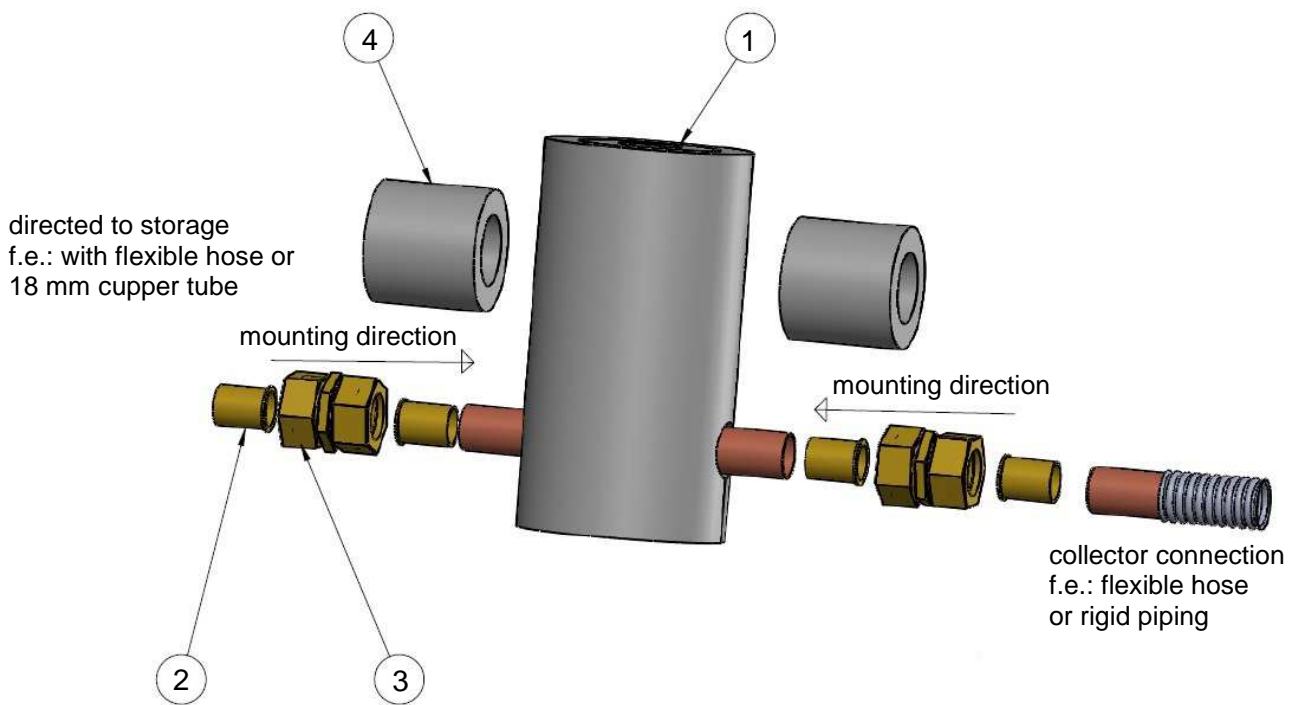




## Installation Instruction Air Pot for df and hp



### Included in Scope of Delivery:

- 1 x air pot df and hp (1)
- 2 x rigid piping set air pot df and hp consists of:
  - 4 x support sleeve (2),
  - 2 x compression fitting straight 18 on 18 (3),
  - 2 x insulation for connections (4)

**IMPORTANT:** Please pay attention to all planning, installation and commissioning manuals. These documents are available at all times on <http://akotec.eu/downloads/>.